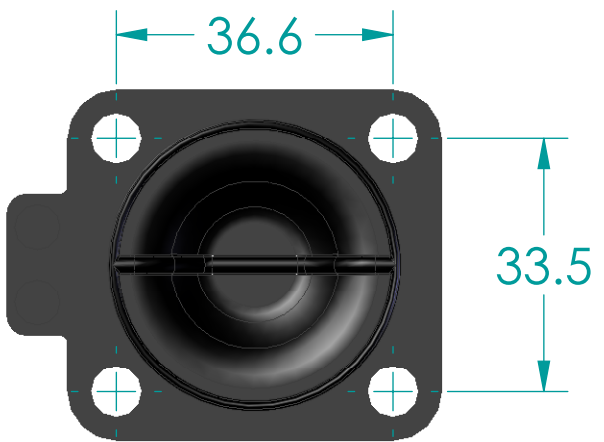
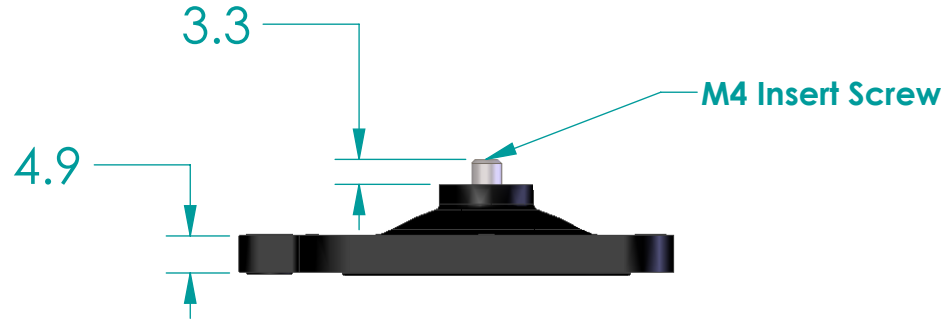
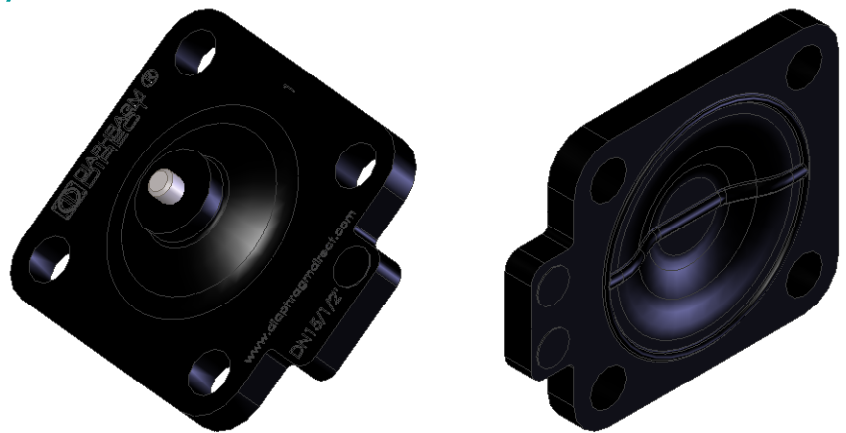
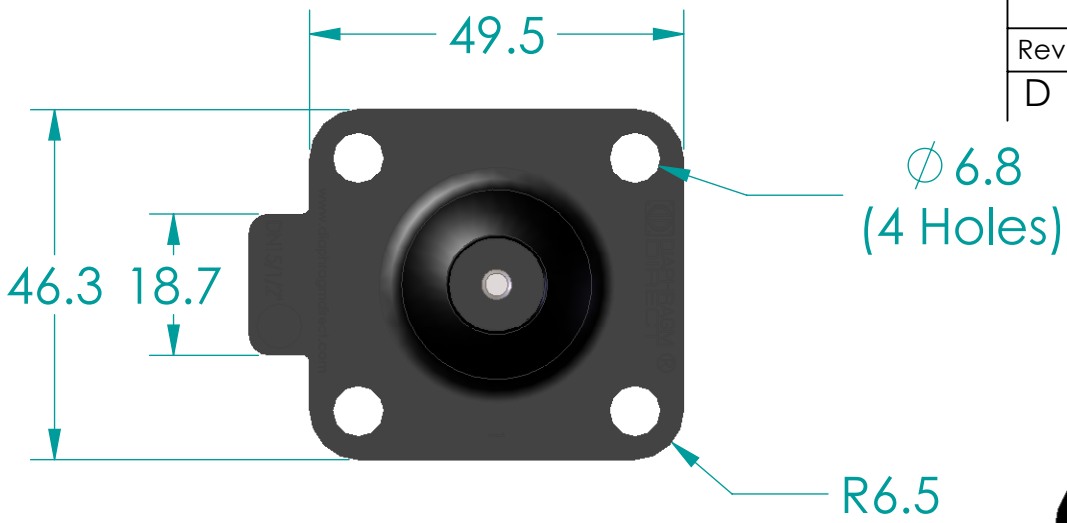


Revision History

Rev	Description	Date	Approved
D	OEM Part changed from DA015-EF to DA015ER	27/10/21	JB



Replacement Diaphragm for:-
 OEM PART = DA015ER
 USED ON 1/2" (DN15) Diaphragm Valve

	Name	Date	
Drawn	M.Mc Keon	02/01/20	
Checked			
Material - EPDM Complies with CFR 177.2600 and Conforms to USP Class VI Biological Reactivity Tests Section #87 and #88			TITLE DD05-SE7-T
Size A	FOOT PRINT DIMENSIONS		Rev D
SCALE: 1:1			DD05-SE7-T-D
			Sheet 1 of 1

Disclaimer - Diaphragm Direct® does not manufacture, represent, nor sell OEM valves or diaphragms manufactured by any other company. Diaphragm Direct® brand diaphragms are not sponsored by any other manufacturers. Any name, model, part number, brand, image, material or referral is for descriptive purposes only. Diaphragm Direct® brand replacement diaphragms are guaranteed to fit OEM equipment and meet or exceed OEM specifications. Diaphragm Direct® brand replacement diaphragms are covered by the standard Diaphragm Direct® limited product warranty.