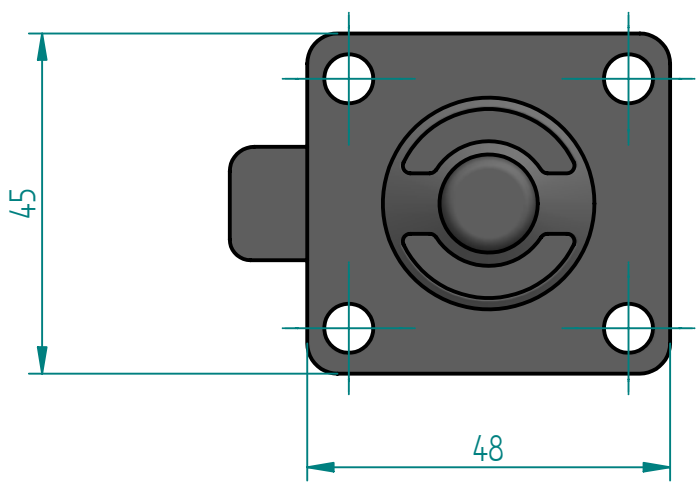
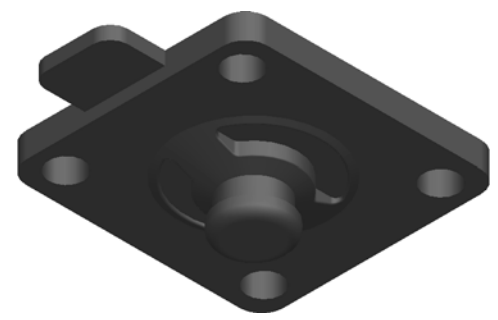
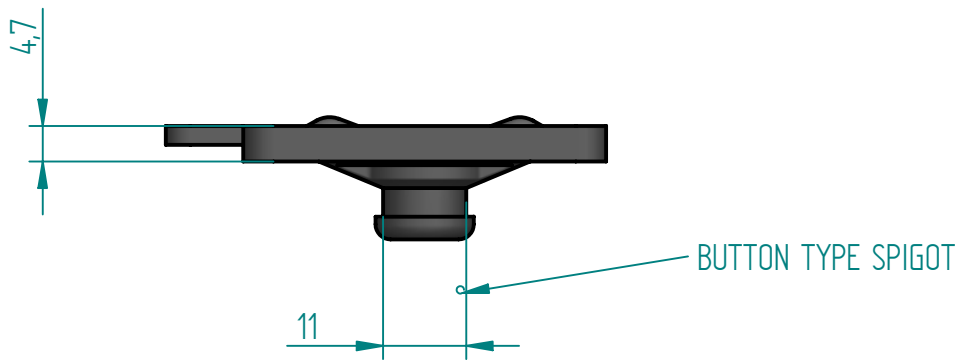
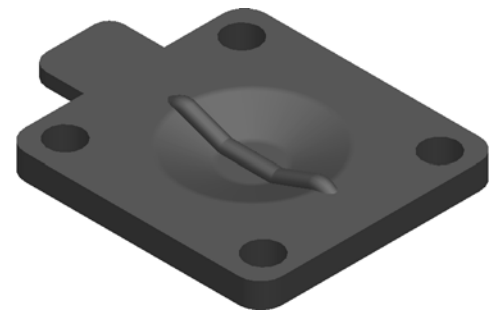
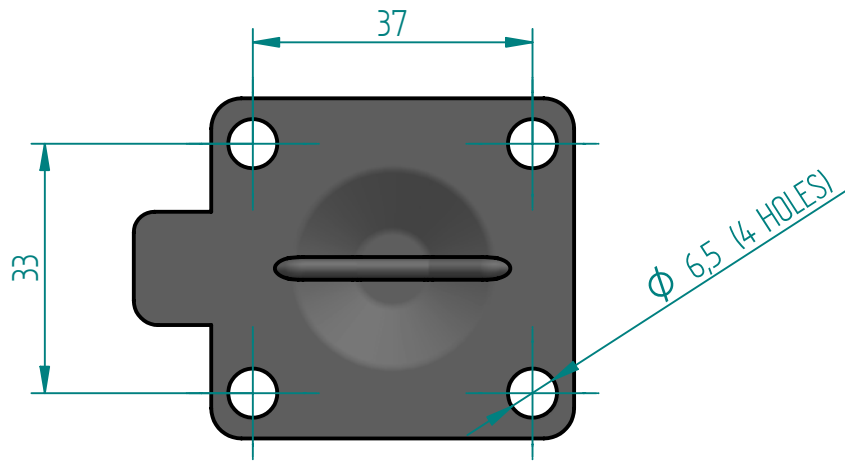



REVISION HISTORY			
REV	DESCRIPTION	DATE	APPROVED



Replacement Diaphragm for :-
 Grade : FPM/FKM - FDA
 USED ON 1/2" (DN15,) Diaphragm Valve

	NAME	DATE
DRAWN	M.MC KEON	01/21/15
CHECKED		
<i>Material - FPM/FKM</i>		
FDA Compliance : 21 CFR 177.2600		

 DIAPHRAGM DIRECT		
TITLE DD05-SFPM		
SIZE A	FOOT PRINT DIMENSIONS	REV B
FILE NAME: DD05-SFPM.dft		
SCALE: 1 : 1	ECO:0605	SHEET 1 OF 1

Disclaimer - Diaphragm Direct® does not manufacture, represent, nor sell OEM valves or diaphragms manufactured by any other company. Diaphragm Direct® brand diaphragms are not sponsored by any other manufacturers. Any name, model, part number, brand, image, material or referral is for descriptive purposes only. Diaphragm Direct® brand replacement diaphragms are guaranteed to fit OEM equipment and meet or exceed OEM specifications. Diaphragm Direct® brand replacement diaphragms are covered by the standard Diaphragm Direct® limited product warranty.