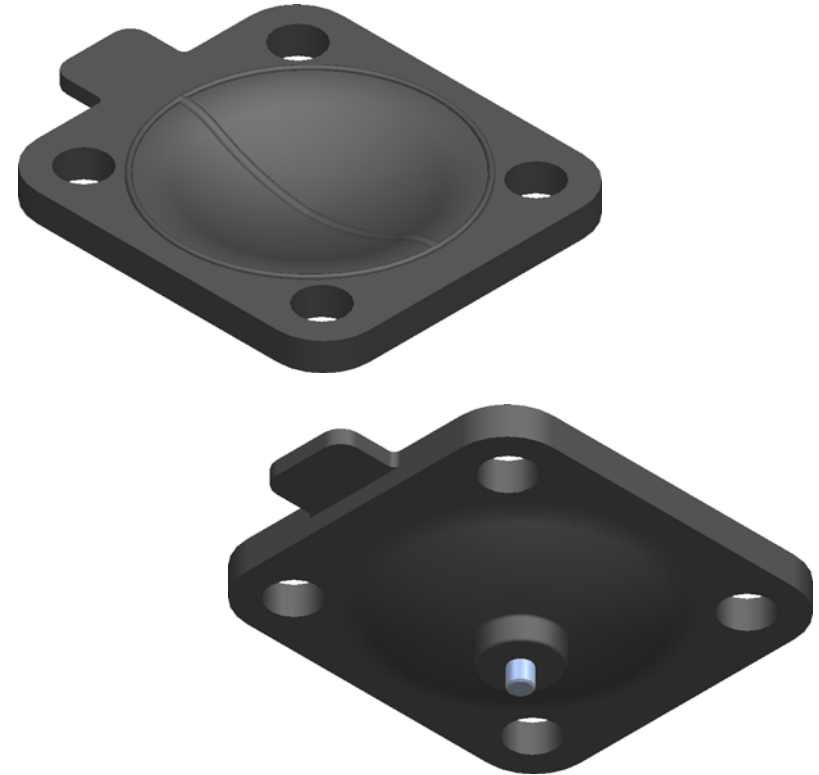


REVISION HISTORY			
REV	DESCRIPTION	DATE	APPROVED
E	OEM Part changed from DA020-EF to DA020ER	27/10/21	JB



Replacement Diaphragm for :-

OEM PART = DA020ER

USED ON 3/4" (DN20) Diaphragm Valve

	NAME	DATE
DRAWN	Michael McKeon	10/27/21
CHECKED	Michael McKeon	10/27/21

Material - EPDM

Complies with CFR 177.2600
and Conforms to
USP Class VI Biological Reactivity
Tests Section #87 and #88



TITLE		
DD07-SE7-T		
SIZE	FOOT PRINT DIMENSIONS	REV
A		E
FILE NAME: DD07-SE7-T-E.dft		
SCALE: 1 : 1	DD-03-05-18	SHEET 1 OF 1

Disclaimer - Diaphragm Direct® does not manufacture, represent, nor sell OEM valves or diaphragms manufactured by any other company. Diaphragm Direct® brand diaphragms are not sponsored by any other manufacturers. Any name, model, part number, brand, image, material or referral is for descriptive purposes only. Diaphragm Direct® brand replacement diaphragms are guaranteed to fit OEM equipment and meet or exceed OEM specifications. Diaphragm Direct® brand replacement diaphragms are covered by the standard Diaphragm Direct® limited product warranty.