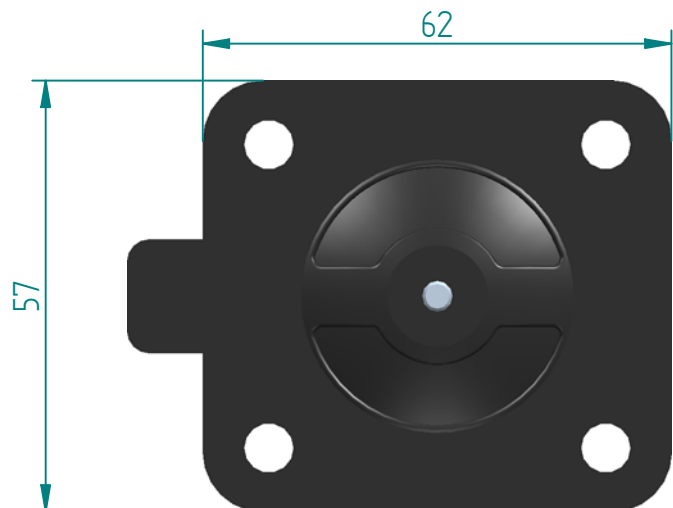
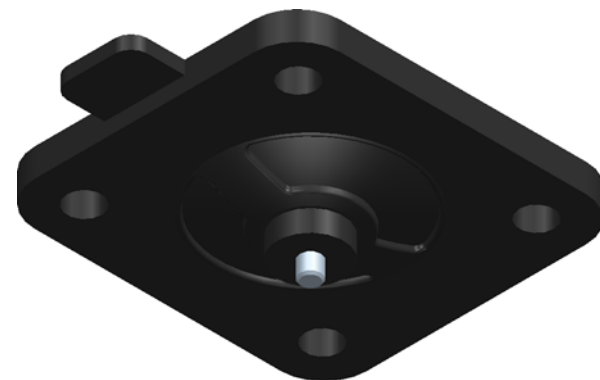
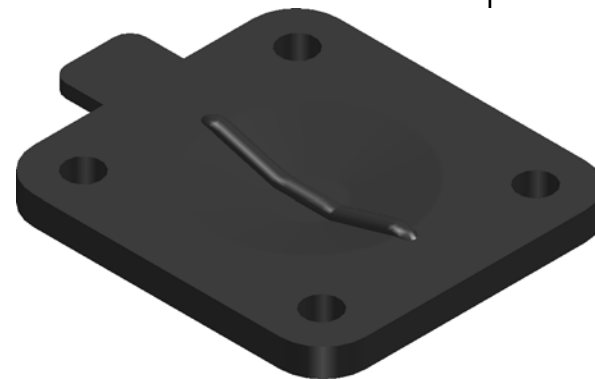


M4 Insert Screw



REVISION HISTORY			
REV	DESCRIPTION	DATE	APPROVED



Replacement Diaphragm for :-

Grade : FPM/FKM - FDA

USED ON 3/4" (DN20) Diaphragm Valve

	NAME	DATE
DRAWN	M.MC KEON	01/21/15
CHECKED		

Material - FPM/FKM

FDA Compliance :
21 CFR 177.2600



TITLE
DD07-SFPM-T

SIZE A	FOOT PRINT DIMENSIONS	REV B
-----------	------------------------------	----------

FILE NAME: DD07-SFPM-T.dft

SCALE: 1 : 1	ECO:0605	SHEET 1 OF 1
--------------	----------	--------------

Disclaimer - Diaphragm Direct® does not manufacture, represent, nor sell OEM valves or diaphragms manufactured by any other company. Diaphragm Direct® brand diaphragms are not sponsored by any other manufacturers. Any name, model, part number, brand, image, material or referral is for descriptive purposes only. Diaphragm Direct® brand replacement diaphragms are guaranteed to fit OEM equipment and meet or exceed OEM specifications. Diaphragm Direct® brand replacement diaphragms are covered by the standard Diaphragm Direct® limited product warranty.