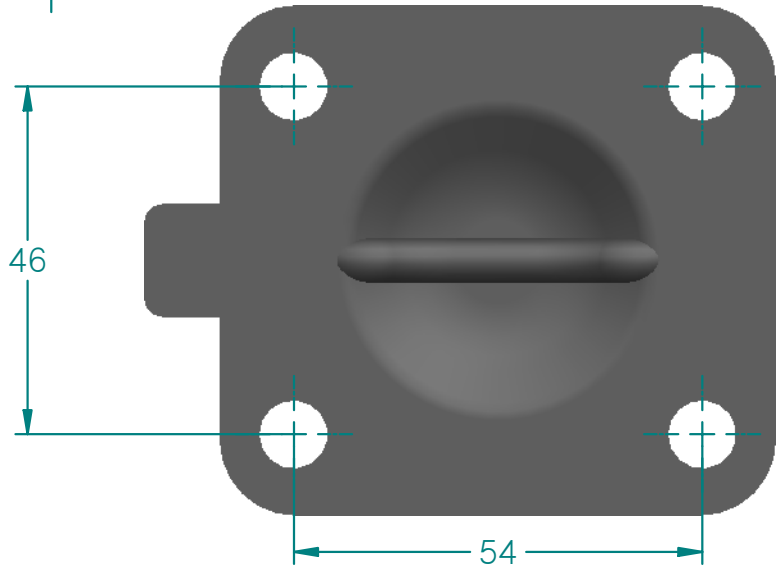
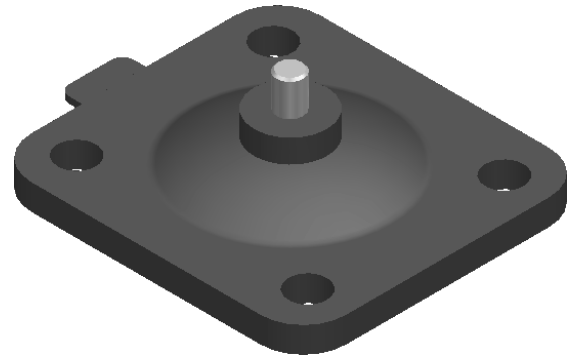


Ø 9 (4 Holes)

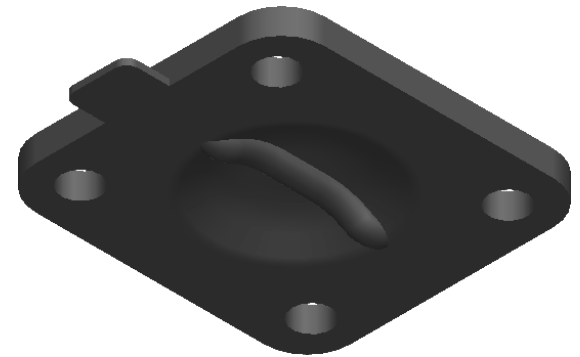
orth INSERT SCREW



REVISION HISTORY			
REV	DESCRIPTION	DATE	APPROVED



SCALE
1:1.25



Replacement Diaphragm for :-

Grade : FPM/FKM – FDA

USED ON 1" (DN25) Diaphragm Valve

	NAME	DATE
DRAWN	M.MC KEON	01/21/15
CHECKED		

Material - FPM/FKM

FDA Compliance :
21 CFR 177.2600



TITLE
DD10-SFPM

SIZE A	FOOT PRINT DIMENSIONS	REV B

FILE NAME: DD10-SFPM.dft

SCALE: 1 : 1	ECC:0605	SHEET 1 OF 1
--------------	----------	--------------

Disclaimer - Diaphragm Direct® does not manufacture, represent, nor sell OEM valves or diaphragms manufactured by any other company. Diaphragm Direct® brand diaphragms are not sponsored by any other manufacturers. Any name, model, part number, brand, image, material or referral is for descriptive purposes only. Diaphragm Direct® brand replacement diaphragms are guaranteed to fit OEM equipment and meet or exceed OEM specifications. Diaphragm Direct® brand replacement diaphragms are covered by the standard Diaphragm Direct® limited product warranty.