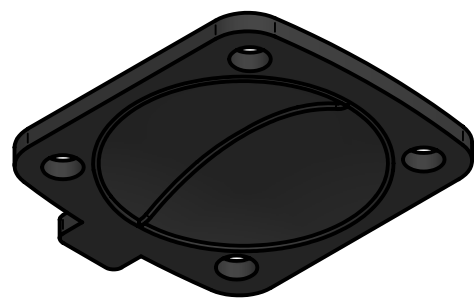
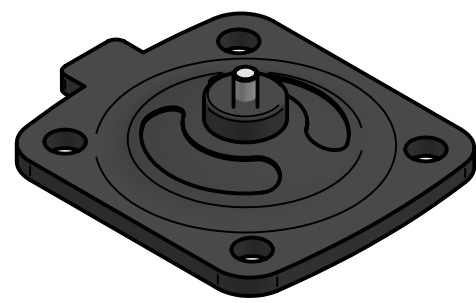


REVISION HISTORY			
REV	DESCRIPTION	DATE	APPROVED



Replacement Diaphragm for :-
 OEM PART = 1P24 With Threaded Connection
 USED ON 1.5" (DN40) Diaphragm Valve

Disclaimer - Diaphragm Direct® does not manufacture, represent, nor sell OEM valves or diaphragms manufactured by any other company. Diaphragm Direct® brand diaphragms are not sponsored by any other manufacturers. Any name, model, part number, brand, image, material or referral is for descriptive purposes only. Diaphragm Direct® brand replacement diaphragms are guaranteed to fit OEM equipment and meet or exceed OEM specifications. Diaphragm Direct® brand replacement diaphragms are covered by the standard Diaphragm Direct® limited product warranty.

	NAME	DATE	DIAPHRAGM DIRECT	
DRAWN	M Mc Keon	07/22/18	DD15-AE7	
CHECKED	M Mc Keon	07/22/18		
Material - EPDM			SIZE	REV
Complies with CFR 177.2600 and Conforms to USP Class VI Biological Reactivity Tests Section #87 and #88			A	FOOT PRINT DIMENSIONS
			FILE NAME: DD15-AE7.dft	
SCALE: 1 : 2		1633-09-17-4	SHEET 1 OF 1	